

PROMAKS CM10

Powder Spray

Customer Product Manual Part

Issued 09/10

Table of Contents

Safety 1-1	
Introduction 1-1	
Qualified Personnel 1-1	
Intended Use 1-1	
Personal Safety 1-2	
Fire Safety 1-2	
Grounding 1-3	
Action in the Event of a Malfunction 1-3	
Disposal 1-3	
Safety Label 1-4	
Description 2-1	
Introduction 2-1	
Operation and Maintenance 3-1	
Operation 3-1	
Daily Maintenance 3-2	
Parts 4-1	
CM10 Promaks Manuel Gun 4-1	
PCMU 07 Control Module 4-2	
Control Module Electrical Parts 4-2-1.	
Control Module pneumatic Parts 4-2-2	

Section 1

Safety

Introduction

Read and follow these safety instructions. Task- and equipment-specific warnings, cautions, and instructions are included in equipment documentation where appropriate.

Make sure all equipment documentation, including these instructions, is accessible to all persons operating or servicing equipment.

Qualified Personnel

Equipment owners are responsible for making sure that Promaks equipment is installed, operated, and serviced by qualified personnel. Qualified personnel are those employees or contractors who are trained to safely perform their assigned tasks. They are familiar with all relevant safety rules and regulations and are physically capable of performing their assigned tasks.

Intended Use

Use of Promaks equipment in ways other than those described in the documentation supplied with the equipment may result in injury to persons or damage to property.

Some examples of unintended use of equipment include

- _ using incompatible materials
- _ making unauthorized modifications
- _ removing or bypassing safety guards or interlocks
- _ using incompatible or damaged parts
- _ using unapproved auxiliary equipment
- _ operating equipment in excess of maximum ratings

Personal Safety

To prevent injury follow these instructions.

- _ Do not operate or service equipment unless you are qualified.
- _ Do not operate equipment unless safety guards, doors, or covers are intact and automatic interlocks are operating properly. Do not bypass or disarm any safety devices.
- _ Keep clear of moving equipment. Before adjusting or servicing any moving equipment, shut off the power supply and wait until the equipment comes to a complete stop. Lock out power and secure the equipment to prevent unexpected movement.
- _ Relieve (bleed off) hydraulic and pneumatic pressure before adjusting or servicing pressurized systems or components. Disconnect, lock out, and tag switches before servicing electrical equipment.
- _ Obtain and read Material Safety Data Sheets (MSDS) for all materials used. Follow the manufacturer's instructions for safe handling and use of materials, and use recommended personal protection devices.
- _ To prevent injury, be aware of less-obvious dangers in the workplace that often cannot be completely eliminated, such as hot surfaces, sharp edges, energized electrical circuits, and moving parts that cannot be enclosed or otherwise guarded for practical reasons.

Fire Safety

To avoid a fire or explosion, follow these instructions.

- _ Do not smoke, weld, grind, or use open flames where flammable materials are being used or stored.
- _ Provide adequate ventilation to prevent dangerous concentrations of volatile materials or vapors. Refer to local codes or your material MSDS for guidance.
- _ Do not disconnect live electrical circuits while working with flammable materials. Shut off power at a disconnect switch first to prevent sparking.
- _ Know where emergency stop buttons, shutoff valves, and fire extinguishers are located. If a fire starts in a spray booth, immediately shut off the spray system and exhaust fans.
- _ Clean, maintain, test, and repair equipment according to the instructions in your equipment documentation.
- _ Use only replacement parts that are designed for use with original equipment. Contact your Promaks representative for parts information and advice.

Grounding

WARNING: Operating faulty electrostatic equipment is hazardous and can cause electrocution, fire, or explosion. Make resistance checks part of your periodic maintenance program. If you receive even a slight electrical shock or notice static sparking or arcing, shut down all electrical or electrostatic equipment immediately. Do not restart the equipment until the problem has been identified and corrected.

- _ All electrically conductive objects in the spray areas shall be electrically connected to ground with a resistance of not more than 1 megohm as measured with an instrument that applies at least 500 volts to the circuit being evaluated.
- _ Equipment to be grounded includes, but is not limited to, the floor of the spray area, operator platforms, hoppers, photo eye supports, and blow-off nozzles. Personnel working in the spray area must be grounded.
- _ There is a possible ignition potential from the charged human body. Personnel standing on a painted surface, such as an operator platform, or wearing non-conductive shoes, are not grounded. Personnel must wear shoes with conductive soles or use a ground strap to maintain a connection to ground when working with or around electrostatic equipment.
- _ Operators must maintain skin-to-handle contact between their hand and the gun handle to prevent shocks while operating manual electrostatic spray guns. If gloves must be worn, cut away the palm or fingers, wear electrically conductive gloves, or wear a grounding strap connected to the gun handle or other true earth ground.
- _ Shut off electrostatic power supplies and ground gun electrodes before making adjustments or cleaning powder spray guns.
- _ Connect all disconnected equipment, ground cables, and wires after servicing equipment.

Action in the Event of a Malfunction

If a system or any equipment in a system malfunctions, shut off the system immediately and perform the following steps:

- _ Disconnect and lock out electrical power. Close pneumatic shutoff valves and relieve pressures.
- _ Identify the reason for the malfunction and correct it before restarting the equipment.

Disposal

Dispose of equipment and materials used in operation and servicing according to local codes.

Safety 1-4

Safety Labels

Table 1-1 contains the text of the safety label on this equipment. The safety label is provided to help you operate and maintain your equipment safely.

Table 1-1 Safety Label Shipped With Powder Spray Guns

WARNING: The following procedures **MUST** be followed when working with this electrostatic spray equipment. Failure to follow these instructions may result in a fire and/or serious personal injury. Display this warning on the spray booth.

1. NO SMOKING. Keep open flames, hot surfaces, and sparks from torches or grinding away from booth.
2. Turn the electrostatic power unit off when the spray gun is not in use.
3. Shut down immediately in event of fire.
4. Maintain ground circuit on all conductive objects below 1 meg ohm to prevent sparking.
5. Shut down operation and correct grounds if sparking occurs.
6. Install fixed fire suppression system before operating with combustible powder.
7. Install automatic flame detectors in accordance before operating automatic guns.
8. Examine all equipment at the beginning of each work period and repair or replace any damaged, loose, or missing parts.
9. Before cleaning or performing any maintenance on the electrostatic spray gun, turn off the power unit and ground the nozzle. Maintain electrostatic spray equipment in accordance with instruction manual. Do not deviate. Do not substitute parts from other manufacturers.
10. Operator must be grounded to prevent shocks from static electricity. Floor surface must be conductive. Footwear and gloves must be static dissipative.
11. Air velocity through all booth openings must meet local requirements and contain powder within the booth. If powder escapes from the booth, shut down operation and correct the malfunction.
12. Powder may be toxic or be a nuisance dust hazard. Refer to supplier's MSDS. If exposed to dust during operation, maintenance, or clean up, operators must use appropriate personal protective equipment.
13. Do not use compressed air or organic solvents for removal of powder from skin or clothing. Do use soap and water. Wash hands before eating or smoking.
14. Guns, feeders, booths, etc., may be cleaned with clean dry air at 1.7 bar (25 psig).

If you have any questions concerning this electrostatic spray equipment, call +90 216 362 10 34, and ask to speak with the Powder Systems Group Technical Service Department.

Section 2

Description

The Promaks Corona CM10 automatic powder spray gun uses cascade to charge powder coating particles. The spray gun is used with a PCAU07 controller and powder pump.

The spray gun uses the same wide variety of optional nozzles and sprayheads available for use with the original CM10 automatic spray gun

WARNING: Make sure the spray gun is grounded before spraying powder or cleaning the spray gun with compressed air. Without a ground connection the spray gun will become electrostatically charged. Personnel touching the spray gun could receive a shock.

Flow rate air pumps powder out of the feed hopper and forces it through the feed hose to the Vortex output.. Vortex air mixes with the powder and increases its speed. The powder and air mixture then passes between the inner and outer wear sleeves inside the charge module. The collision of the powder particles with the walls of the sleeves electrostatically charges both the powder particles and the sleeves.

The sleeves are grounded through the spray gun body, ground wire, and control unit. The charge picked up by the sleeves is displayed in microamperes at the control unit. The display indicates how well the powder is charging (the higher the number, the stronger the charge the powder is receiving). The strength of the charge the powder receives will vary depending on many factors, including the powder type and its speed through the spray gun.

Section 3

Operation and Maintenance

WARNING: Allow only qualified personnel to perform the following tasks. Follow the safety instructions in this document and all other related documentation.

WARNING: All electrically conductive equipment in the spray area must be grounded. Ungrounded or poorly grounded equipment can store an electrostatic charge which can give personnel a severe shock or arc and cause a fire or explosion.

WARNING: Make sure the spray gun is grounded before spraying powder or cleaning the spray gun with compressed air. Without a ground connection the spray gun will become electrostatically charged. Personnel touching the spray gun could receive a shock.

Operation

Each automatic spray gun is controlled by one gun control unit which houses electrical controls, a bar led display, and regulators and gauges for flow rate and gun fortex air. Refer to the control unit manual for operation instructions.

Powder volume, velocity, and atomization are controlled by the flow rate and Gun fortex air pressure settings. As a starting point, set air pressures to:

Flow rate (ejector) air pressure 1.8 bar

Gun fortex air pressure 0.5 bar

Keep the flow rate air pressure as low as possible. Maintain the same ratio of fortex air-to-flow rate air without reducing the charging level. Reduce the fortex air pressure if powder is being blown out of recesses. Build coating thicknesses slowly. Reduce air pressures to keep overspray to a minimum.

Experiment with the part hanger configuration and part density. Reduce the space between parts to keep overspray to a minimum. Keep the air velocity through the booth as close to the minimum required by law as practical without violating safety.

Operation and Maintenance

Operation

Use different sprayheads for different part shapes. Select the appropriate nozzle for the parts being coated.

- _ Pinpoint nozzles for penetration
- _ Eight-orifice nozzles for flat surfaces
- _ Cylindrical nozzles for general purpose coating

Angle the nozzles to meet and follow the parts as they move through the booth.

Daily Maintenance

WARNING: Make sure the spray gun is grounded before spraying powder or cleaning the spray gun with compressed air. Without a ground connection the spray gun will become electrostatically charged. Personnel touching the spray gun could receive a shock.

1. Remove the powder feed hose from the pump and the air tubing from the pump and vortex air. Use air gun to clean the hose, vortex air hose, and charge module with compressed air.

NOTE: Never blow powder through the feed hose back into the pump. Turn on the booth exhaust fan, disconnect the hose from the pump, and blow out the hose from the pump end into the booth.

2. Remove the vortex air from the gun body. Disassemble the vortex air hose and clean the parts with compressed air and a clean, soft cloth. Check the powder contact parts for wear and replace worn parts.

3. Blow out the charge module and sprayheads. Disassemble and clean the charge module. Check the powder contact parts for wear and replace worn parts.

NOTE: Never use a knife or other sharp object to clean plastic parts. Powder will build up on scratches on the powder contact surfaces. The powder particles can fuse on impact and clog the spray gun.

WARNING: All electrically conductive equipment in the spray area must be grounded. Ungrounded or poorly grounded equipment can store an electrostatic charge which can give personnel a severe shock or arc and cause a fire or explosion.

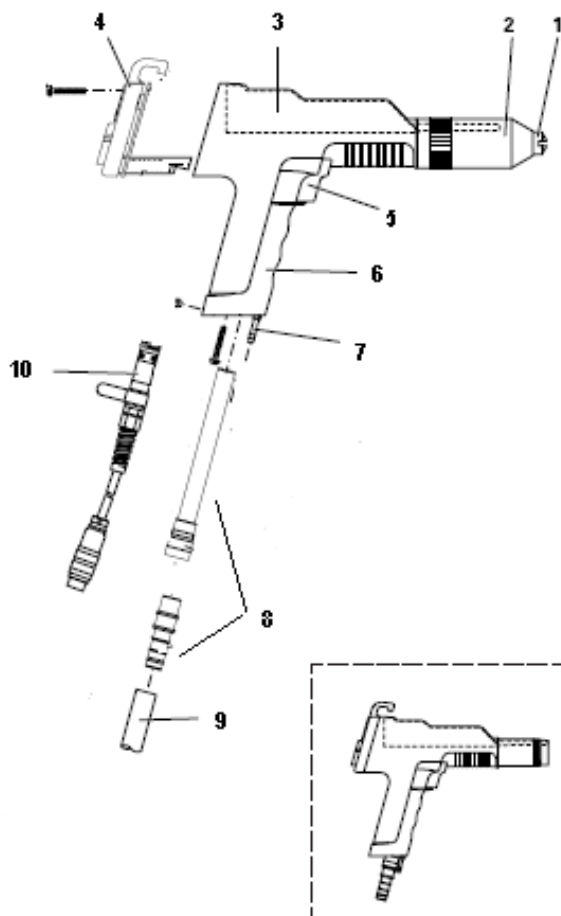
4. Make sure all conductive equipment in the spray area, including the spray guns, are connected to a true earth ground. The resistance from part to ground, through the hangers and conveyor, must not exceed one megohm. For best results, the resistance should be less than 500 &.

Troubleshooting **4-1**

Section 4

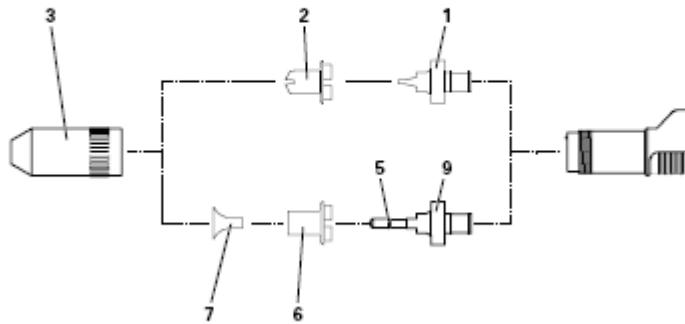
Parts

4.2-PROMAKS CM10 MANUEL GUN



PROMAKS CM10 Manual Powder gun – complete	CM10
3 PCM10 Manual Powder gun, Cascade Polarity – (negative)	379646
1 Nozzle - see next page	
2 Threaded sleeve - see next page	
4 End plate with hook	378283
5 Trigger complete	379093
6 Grounding plate	379301
7 Rinsing air connection	378003
8 Powder tube – complete	379077
9 Powder hose - 1004 - ø 16 / 11 mm (standard)	103128
Powder hose - 1004 - ø 16 / 11 mm (GROUNDED)	103129
10 Manuel Powder gun cable - complete - 10 m	378232

NOZZLE COMBINATIONS FOR PCM10



Nozzle set - Flat jet (Items 1, 2)	379620
Nozzle set - Round jet (Items 5, 6, 9)	382922
1 Electrode holder (Flat jet nozzle)	379140
2 Flat jet nozzle	377856
3 Threaded sleeve	379166
5 O-Ring - \varnothing 5 x 1 mm	231606
6 Round jet nozzle	378518
7 Deflector plate - \varnothing 16 mm	331341
7.1 Deflector plate - \varnothing 24 mm	331333
7.2 Deflector plate - \varnothing 32 mm	331325
8 Extension - 150 mm 378852 #	
9 Electrode holder, incl. Item 5	382914

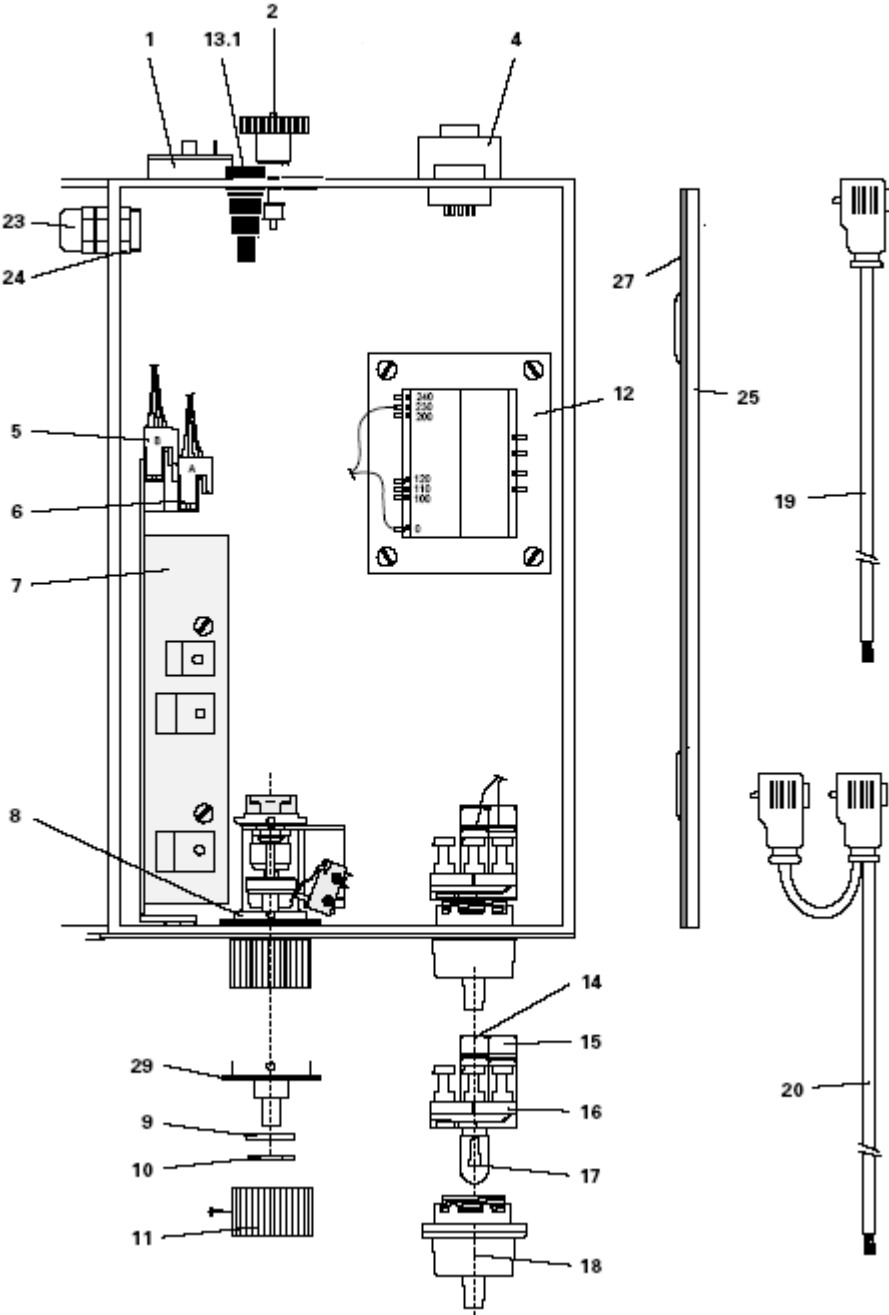
4.4-PCMU 07 CONTROL MODULE

4.4.1 Electrical Parts

1 GOLD SERIES Control module (complete)	PCMU07
1 Fixed plug, with gasket (for Mains connection)	PG 200 409
2 Knurled grounding nut - M6	PG200 433
4 Socket - 7 pin	PG200 093
5 Plug - 12 pin B1 - B12	PG338 770
6 Plug - 12 pin A1 - A12	PG338 761
7 Printed circuit board - CB1	PG327 190
8 Potentiometer with micro-switch - complete	PG370 355
9 Washer	PG200 271
10 Clamp nut - M 12 x 1 mm	PG200 700
11 Regulating knob	PG200 069
12 Transformer	PG235 555
13 Fuse holder - F1	PG200 131
Fine wire fuse (slow blow) 2A T for 200-240V	
14 Lamp unit	PG235 946
15 Contact unit	PG235 938
16 Adapter fixture	PG235 920
17 Bulb - 24V /2W	PG235 954
18 Switch	PG235 911
19 Mains cable connection (single plug)	PG303 607
20 Mains cable connection (two plugs)	PG343 366
Mains cable connection (four plugs - not shown)	PG343 374
Mains cable connection (eight plugs - not shown)	PG343 382
23 Clamp nut - PG 7	PG230 537
24 Lead-through - PG 7	PG235 989
25 Cover plate	PG352 128
27 Sealing strip - 9 x 6 mm	PG100 269*
28 Socket cap	PG206 474
29 Gasket	PG336 300

PCMU 07 CONTROL MODULE

Electrical parts



PCMU 07 CONTROL MODULE

4.4.2 Pneumatic parts

A Air input unit complete	PG336 610
1 Screw coupling - \varnothing 8 mm	PNM100102
2 Screw connector - \varnothing 8 mm	PNM100105
3 Screw coupling - \varnothing 6 mm	PG201 316
4 Screw connector - \varnothing 6 mm	PG241 792
5 Solenoid valve (24 VAC - 3/8" B.S.P. thread)	PG235 865
6 Solenoid valve coil - 24 VAC (for item 8)	PG243 930
7 Pressure gauge (0-6 bar)	PG235 814
8 Pressure gauge (0-4 bar)	PG235 815
9 Pressure reducing valve	PG235 822
10 Control knob	PG200 069
11 Clamp nut - M14 x 1 mm	PG302 163
12 Solenoid cable with plug	PG336 602
13 Hose - \varnothing 8 / 6 mm	PG103 756
14 Hose - \varnothing 6 / 4 mm	PG103 144

PCMU 07 CONTROL MODULE
Pneumatic parts

